

General

- High-resolution magnetic-incremental rotary encoder with robust mechanical design.
- Technology proven worldwide in a very wide range of applications, suitable for the harshest industrial environments.
- All types available with radial and axial connector or cable outlet.
- High reliability and a long service life characterise the magnetic-incremental rotary encoders.

For extreme applications

GEL 207 with synchro flange, range of shaft diameters and lengths

GEL 208 with clamping flange, range of shaft diameters and lengths

For shaft load up to 500 N

GEL 209 with bearing pedestal, shaft diameter 16 mm with Woodruff key in accordance with DIN 6888

Features

- High resolution up to 136192 pulses per revolution
- Reference signal
- Cable or plug outlet, axial or radial
- Various shaft diameters from 6 mm to 16 mm
- High electromagnetic compatibility

Advantages

- Absolute reliability even in high atmospheric humidity (condensation) and frequent temperature changes
- Withstands high shock and vibration loads
- Not affected by dirt or oil mist
- Temperature behaviour stable over the long-term
- No ageing of the magnetic sensor technology

Field of application

- Heavy industry
- Paper and packaging machines
- Transport and storage systems
- Machines for processing steel, wood, stone, plastics etc.
- Bottling plants



Encoder GEL 209 for shaft load up to 500 N,
Clamping flange GEL 208 or synchro flange
GEL 207

Right to technical changes and errors reserved.

Description

Construction and design

The magnetic-incremental rotary encoders in the series GEL 207, GEL 208 and GEL 209 are based on the contactless magnetic scanning of a target wheel integrated into the encoder. The robust steel housing with a diameter of 58 mm is electrogalvanised and black chromatised. The rotary encoders are available with a radial or axial connector or cable outlet.

The maximum angular acceleration is extremely high, as the encoder shaft and the target wheel have interlocking shapes and are pressed together to form a mechanical unit. The encoder shaft should be connected to the drive shaft via a flexible coupling so that the permissible shaft load is not exceeded.

Optionally the rotary encoders can be equipped with a condensed water outlet or additional protection for the electronics against humidity and vibration for operation in a harsh environment.

A wide range of accessories is available for connecting the rotary encoder.

Sensing principle

The differential, magnetic field-dependent sensors contactlessly scan the tooth structure on the target wheel and output a sine and a cosine voltage. The integrated evaluation electronics in ASIC and SMD technology convert the analogue sensor signals into incremental output signals. Square-wave signals are output with various signal patterns that allow the unambiguous detection of the direction of rotation and ensure high data reliability. In addition it is possible to output a reference pulse.

Pulse numbers available

The incremental encoders in the series GEL 207, 208 and 209 are high-resolution rotary encoders with pulse numbers of 37 up to 136.192 pulses per revolution.

The realizable pulse numbers can be found online at www.lenord.de and are available upon request.

Additional protection measures

Moisture protection

The encoder electronics is coated with a highly effective protection against humidity, salt-water atmosphere and corrosive vapours. During years, proper functioning even in harsh environments is ensured.

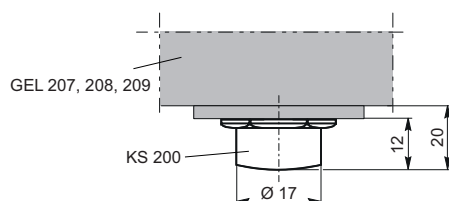
Condensate outlet

By multiple dewing condensed water may gather in the encoder housing. This water can drain through the condensate outlet. When mounting the encoder make sure that the outlet points down. The protection class drops to IP 64.

The position of the condensate outlet must be specified upon the order.

Vibration protection

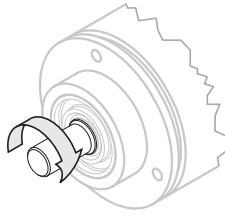
The additional fixing of mechanical parts with special plastic prevents the electronics and the connections inside the encoder from vibrating. Thus, the proper and continuous operation of the encoder even under extreme vibration and shock loading is guaranteed.



Output signals

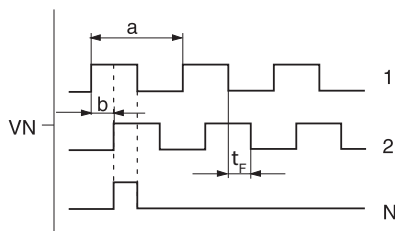
Signal pattern

The signal patterns are shown for clockwise rotation, this means the shaft is rotating clockwise on looking at the encoder shaft.



Signal pattern V, VN

Signal pattern "V" has two tracks with square-wave signals offset by 90°. On the third track N a reference signal of defined length is output once per turn. Reference signals with other lengths are available upon request.



- a 360° electrical
- b 90° phase offset
- t_F Time between edges (at an output frequency of 200 kHz the time between the edges is $t_F > 0.6 \mu\text{s}$)

	$U_B^{(1)}$	$U_{out}^{(2)}$
V, VN	10 to 30 V DC	HTL

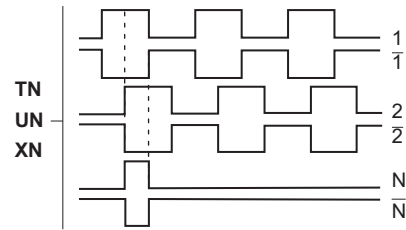
Maximum cable lengths

Signal pattern		with an output frequency f of						
		5	10	20	50	100	200	[kHz]
T, TN, U, UN	TTL ($U_{out} = 5 \text{ V}$) ⁽³⁾	200	200	200	200	145	72	[m]
V, VN	HTL (at $U_{out} = 20 \text{ V}$)	200	200	200	80	40	20	[m]
X, XN	HTL (at $U_{out} = 20 \text{ V}$)	200	200	100	40	20	10	[m]

The information represents standard values and relates to cables of type LiYCY 6 (10) × 0.25 mm² between the rotary encoder and downstream electronics.

Signal pattern T, TN, U, UN, X, XN

The two pulse outputs and the reference signal are also output as inverse signals.



	$U_B^{(1)}$	$U_{out}^{(2)}$
T, TN	+ 5 V DC ± 5 %	TTL
U, UN	10 to 30 V DC	TTL
X, XN	10 to 30 V DC	HTL

Output signal level

The signal patterns V, VN, X and XN have HTL levels, the signal patterns T, TN, U and UN have TTL levels. All outputs have a push-pull power amplifier and are sustained short circuit-proof.

The peak output current for discharging the cable capacitance is 100 mA.

(1) Supply voltage
 (2) Output signal level
 (3) The lengths stated apply on the usage of a power supply unit with sense regulation.

Technical data

The electrical data will vary depending on the signal pattern selected. The mechanical data are defined by the encoder type and are listed separately.

	T, TN	U, UN	V, VN	X, XN
General				
Resolution (pulses per revolution)	37 to 136,192			
Measuring range	36° to 0.003°			
Error limit	0.14°			
Electrical data				
Supply voltage U_B	5 V DC \pm 5%	10 to 30 V DC		
Power consumption	\leq 1.0 W	\leq 1.3 W		
Output frequency	\leq 200 kHz ⁽¹⁾			
Output signal level	TTL		HTL	
Output level high	$\geq U_B - 1.00$ V at I = 10 mA; $\geq U_B - 1.20$ V at I = 30 mA	≥ 4.00 V at I = 10 mA; ≥ 3.85 V at I = 30 mA	$\geq U_B - 1.80$ V at I = 10 mA; $\geq U_B - 2.20$ V at I = 30 mA	
Output level low	≤ 0.75 V at I = 10 mA; ≤ 1.00 V at I = 30 mA		≤ 1.15 V at I = 10 mA; ≤ 1.55 V at I = 30 mA	
Ambient data				
Working temperature range	0 °C to +70 °C (standard) -20 °C to +85 °C (option)			
Operating temperature range	-20 °C to +85 °C			
Storage temperature range	-40 °C to +105 °C			
Protection class	IP 65			
Vibration protection (DIN IEC 60068-2-6)	100 m/s ² , 10 to 2000 Hz			
Shock protection (DIN IEC 60068-2-27)	1000 m/s ² , 11 ms			
Electromagnetic compatibility (EMC)	EN 61000-6-1 to 4			
Insulation resistance	500 V DC, > 1 M Ω			
Voltage sustaining capability	500 V AC, 1 minute			

Mechanical data of GEL 207 and GEL 208	
Shaft diameter	see type code
Weight	500 g
Max. operating speed (r.p.m.)	1,000 min ⁻¹
Moment of inertia of rotor	7 \times 10 ⁻⁵ kgm ²
Operating torque	0.03 Nm (< 0.1 Nm ⁽²⁾)
Starting torque	0.05 Nm (0.1 Nm ⁽²⁾)
Permissible shaft load (point of application 15 mm in front of flange hub)	200 N axial, 200 N radial
Bearing life cycle at maximum shaft load at half shaft load	2,000 \times 10 ⁶ revolutions 12,600 \times 10 ⁶ revolutions

(1) detailed information on request

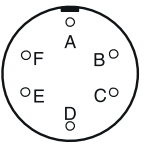
(2) with option ball bearing cover (IP 50)

Technical data, Connection assignment

Mechanical data of GEL 209	
Shaft diameter	16 mm
Weight	700 g
Max. operating speed (r.p.m.)	8,000 min ⁻¹
Moment of inertia of rotor	7 × 10 ⁻⁵ kgm ²
Operating torque	0.03 Nm (< 0.1 Nm ⁽¹⁾)
Starting torque	0.05 Nm (0.1 Nm ⁽¹⁾)
Permissible shaft load (point of application 15 mm in front of flange hub)	400 N axial, 500 N radial
Bearing life cycle at maximum shaft load at half shaft load	840 × 10 ⁶ revolutions 6600 × 10 ⁶ revolutions

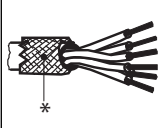
Connection assignment for signal pattern V, VN

Plug outlet – option A or B

6-pole plug	Signal	Explanation
	F	U _B Supply voltage
	A	GND Earth
	D	N Reference signal
	B	2 Track 2
	C	1 Track 1

Mating connector GG 66 included in the scope of supply.

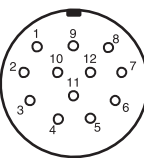
Cable outlet – option F or G

6-core cable	Signal	Explanation
	yellow	U _B Supply voltage
	green	GND Earth
	grey	N Reference signal
	white	2 Track 2
	brown	1 Track 1

* Screen not connected at the encoder end.

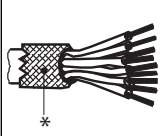
Connection assignment for signal pattern T, TN, U, UN, X, XN

Plug outlet – option C or D

12-pole plug	Signal	Explanation
	12	U _B Supply voltage
	10	GND Earth
	3	N Reference signal
	4	/N Reference signal, inverted
	8	2 Track 2
	1	/2 Track 2, inverted
	5	1 Track 1
	6	/1 Track 1, inverted

Mating connector GG 126 included in the scope of supply.

Cable outlet – option H or I

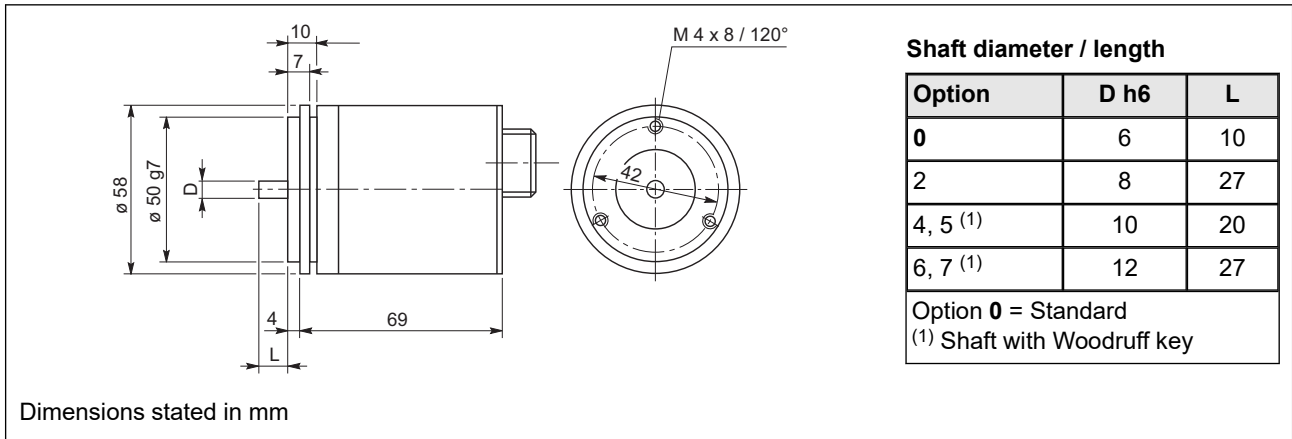
10-core cable	Signal	Explanation
	red	U _B Supply voltage
	blue	GND Earth
	violet	N Reference signal
	yellow	/N Reference signal, inverted
	pink	2 Track 2
	black	/2 Track 2, inverted
	white	1 Track 1
	brown	/1 Track 1, inverted

* Screen not connected at the encoder end.

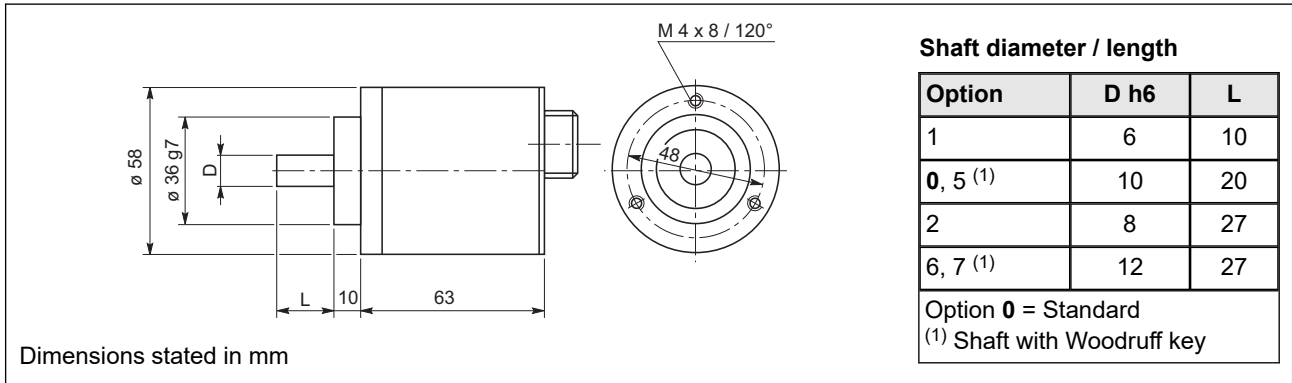
(1) with option ball bearing cover (IP 50)

Dimensional drawings

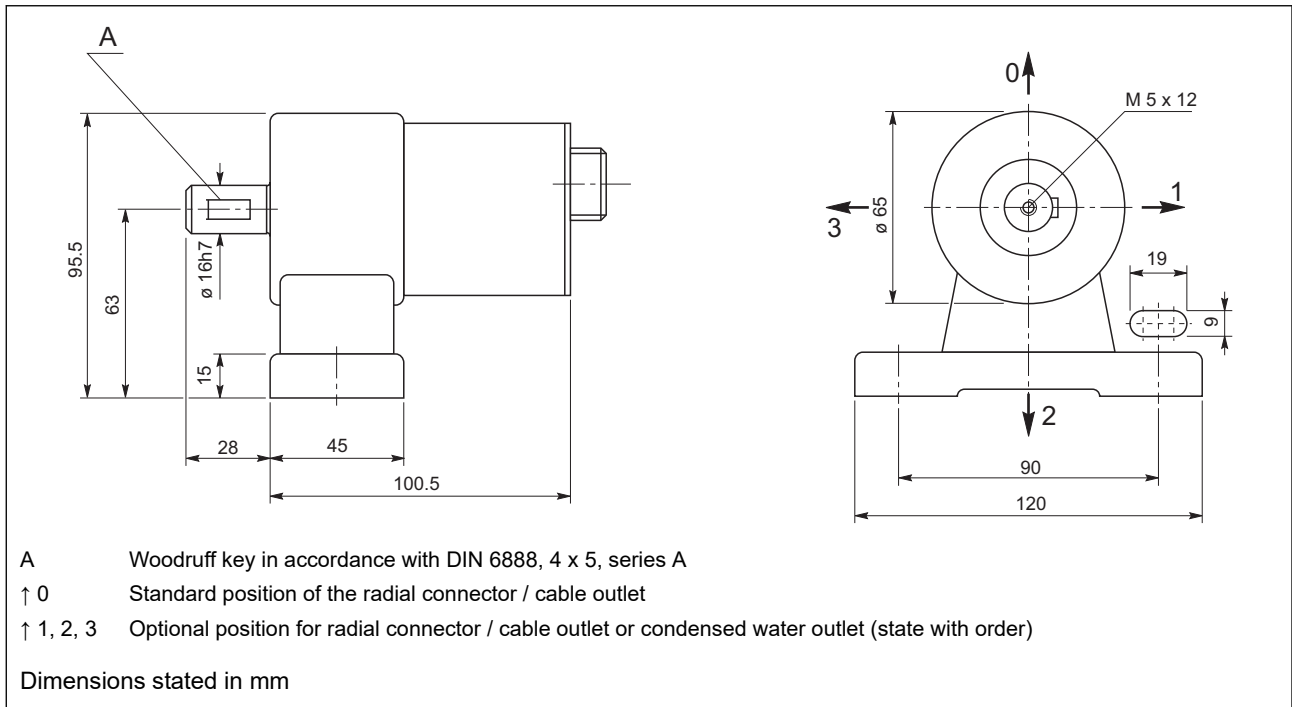
Dimensional drawing GEL 207 – rotary encoder with synchro flange, plug outlet axial



Dimensional drawing GEL 208 – rotary encoder with clamping flange, plug outlet axial

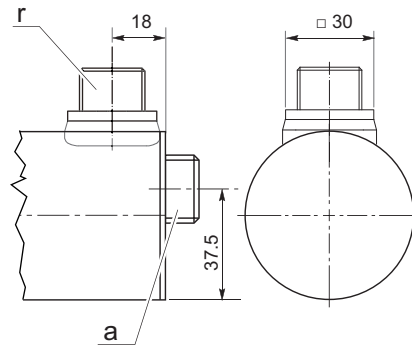


Dimensional drawing GEL 209 – rotary encoder with bearing pedestal, plug outlet axial



Dimensional drawings

Dimensional drawing plug outlet axial or radial

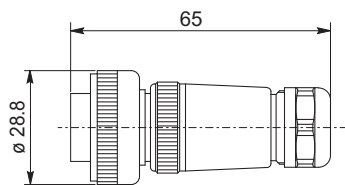


- a Axial plug outlet
- r Radial plug outlet

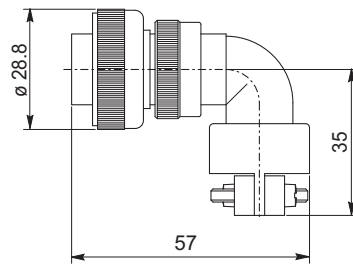
Dimensions stated in mm

Dimensional drawings mating connector

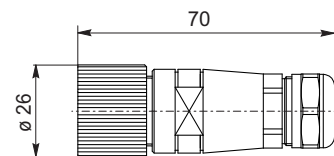
BS1111 = GG 66 6-pole, straight



BS1113 = GW 66 6-pole, angled



FS1139 = GG 126 12-pole, straight



Dimensions stated in mm

Type code

Type code GEL 207 / 208 / 209

2	Type	
	07	with synchroflange
	08	with clamping flange
	09	with bearing pedestal for shaft load up to 500 N
	Signal pattern	
	T	2 square-wave signals shifted by 90° and their inversed signals (TTL)
	U	2 square-wave signals shifted by 90° and their inversed signals (TTL)
	V	2 square-wave signals shifted by 90° (HTL)
	X	2 square-wave signals shifted by 90° and their inversed signals (HTL)
	Reference signal	
-	without	
N	with reference signal	
Pulse numbers per revolution		
00037 ... 136192		
Connector / cable outlet		
A	6-pole connector, axial	
B	6-pole connector, radial	
C	12-pole connector, axial	
D	12-pole connector, radial	
F	6-core cable, axial	
G	6-core cable, radial	
H	10-core cable, axial	
I	10-core cable, radial	
Shaft diameter and length		
0	Standard GEL 207: d = 6 mm, L = 10 mm GEL 208: d = 10 mm, L = 20 mm GEL 209: d = 16 mm, L = 28 mm	
1	d = 6 mm, L = 10 mm (GEL 208 only)	
2	d = 8 mm, L = 27 mm (GEL 207/208 only)	
4	d = 10 mm, L = 20 mm (GEL 207 only)	
5	d = 10 mm, L = 20 mm Woodruff key (GEL 207/208 only)	
6	d = 12 mm, L = 27 mm (GEL 207/208 only)	
7	d = 12 mm, L = 27 mm Woodruff key (GEL 207/208 only)	
Protection of electronics		
0	no additional protection	
1	moisture protection	
2	vibration protection	
3	moisture and vibration protection	
4	moisture protection with condensate outlet	
5	moisture and vibration protection with condensate outlet	
Temperature range		
1	0 °C to +70 °C	
3	-20 °C to +85 °C	

Ordering information

Standard cable length is 1 m. Please state other cable lengths with order.

Mating connectors BS1111 or FS1139 are included in the scope of supply, for optional BS1113 please state with order.