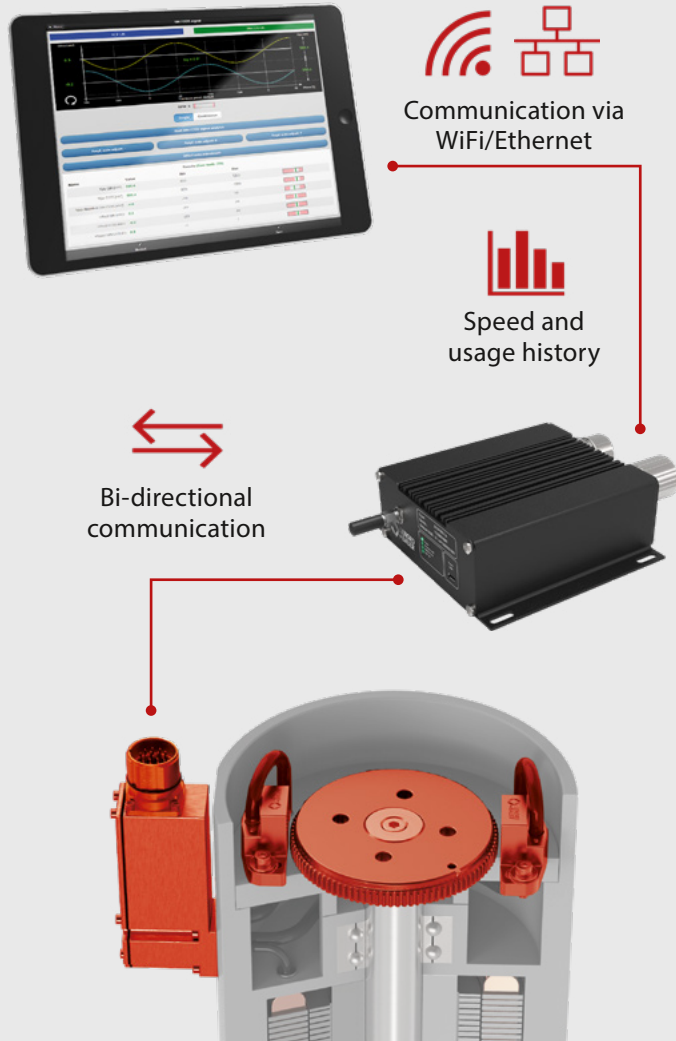


Top service and adjustment options

Analysis, optimization and parameterization with the testing and programming unit

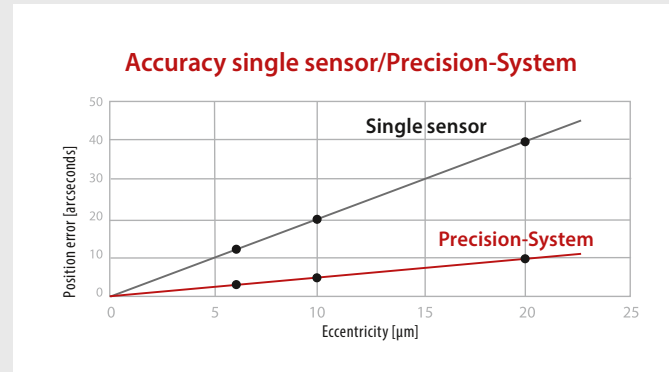
- Plug and play: Connection via external M23 connector of the Precision-Box
- Verification of quality and installation conditions of the target wheel
- Easy operation via web browser on any terminal device such as a smartphone, tablet or PC



High accuracy in a flash

Your advantages

- Use of two tried and tested standard MiniCODERs
- Dynamically minimized eccentricity error even at high speeds
- Mounting compatibility of the Precision-Box with existing M23 connectors
- Easy commissioning using the GEL 211CS0 testing and programming unit



We will find the best suited sensor for your application. Please contact us!

Lenord, Bauer & Co. GmbH
Dohlenstr. 32, 46145 Oberhausen – Germany
Tel. +49 (0)208 9963-0, www.lenord.de

Lenord+Bauer Italia S.r.l.
Via Gustavo Fara, 26, 20124 Milano – Italy
Tel. +39 340 1047184, www.lenord.com

Lenord+Bauer USA Inc.
32000 Northwestern Highway
Suite 150, Farmington Hills, MI 48334 – USA
Tel. +1 248 446 7003, www.lenord.com

Lenord+Bauer
Automation Technology (Shanghai) Co., Ltd.
Block 42, Room 302, No.1000, Jinhai Road
201206 Shanghai – China
Tel. +86 21 50398270, www.lenord.cn


**LENORD
+BAUER**
*Finding solutions.
Founding trust.*

Precision-System

High speed meets high precision

High-precision speed and position acquisition

- Increased accuracy up to four arcseconds
- Space-saving installation solution
- Rotational speeds up to 50,000 min⁻¹
- Not sensitive to contamination

7860045 – EN – 06/2023

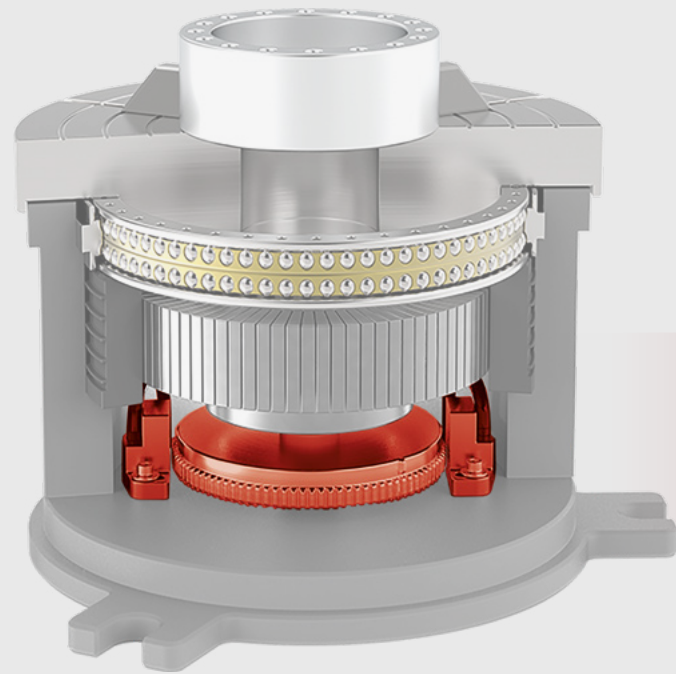
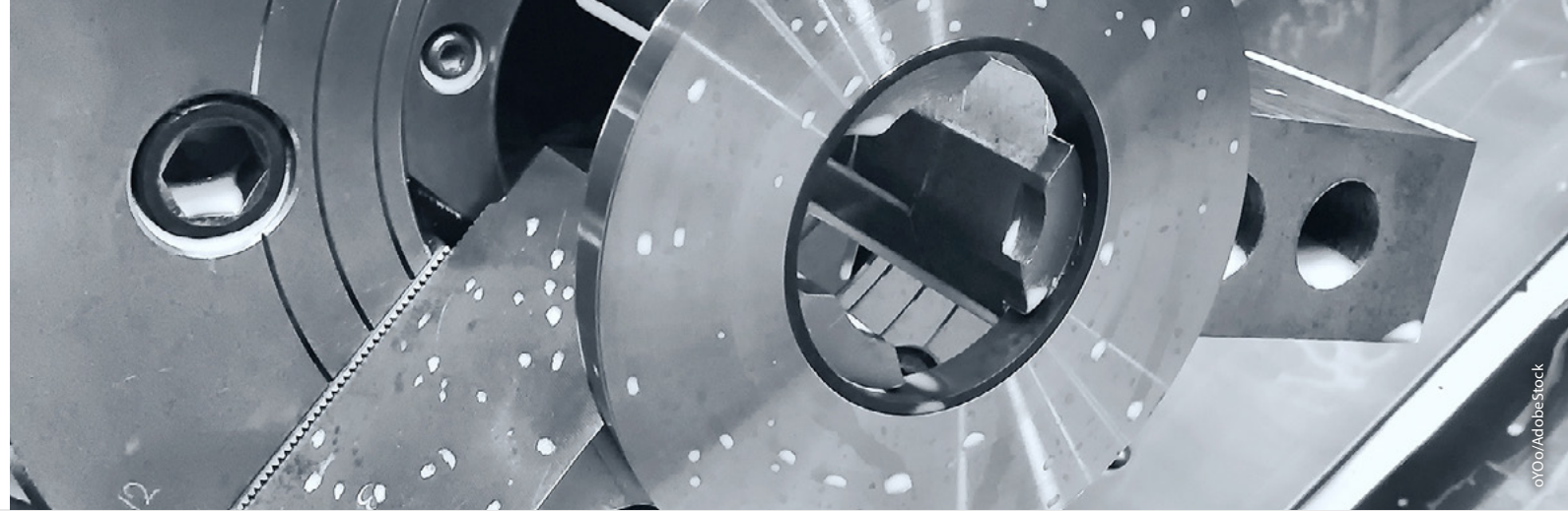
Roger/AdobeStock


**LENORD
+BAUER**
*Finding solutions.
Founding trust.*

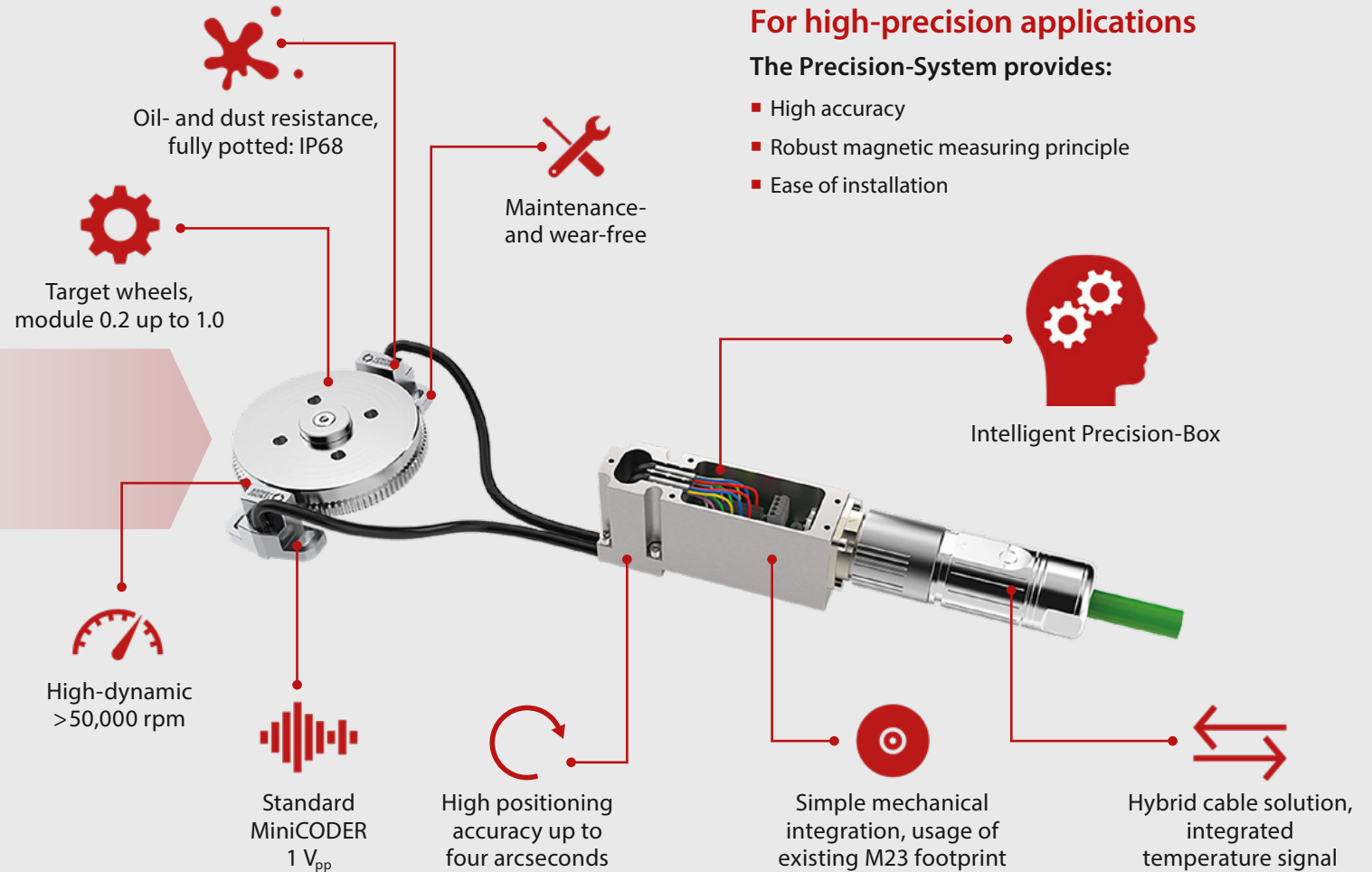
Precision-System for machine tool applications with increased accuracy requirements

Reliable, accurate and attractively priced positioning solution

- Combination of two tried and tested standard MiniCODERs and the Precision-Box
- Increased system accuracy of the incremental measuring system due to electronic error compensation



Space-saving installation solution:
Use existing measuring scales and
available installation space



For high-precision applications

The Precision-System provides:

- High accuracy
- Robust magnetic measuring principle
- Ease of installation